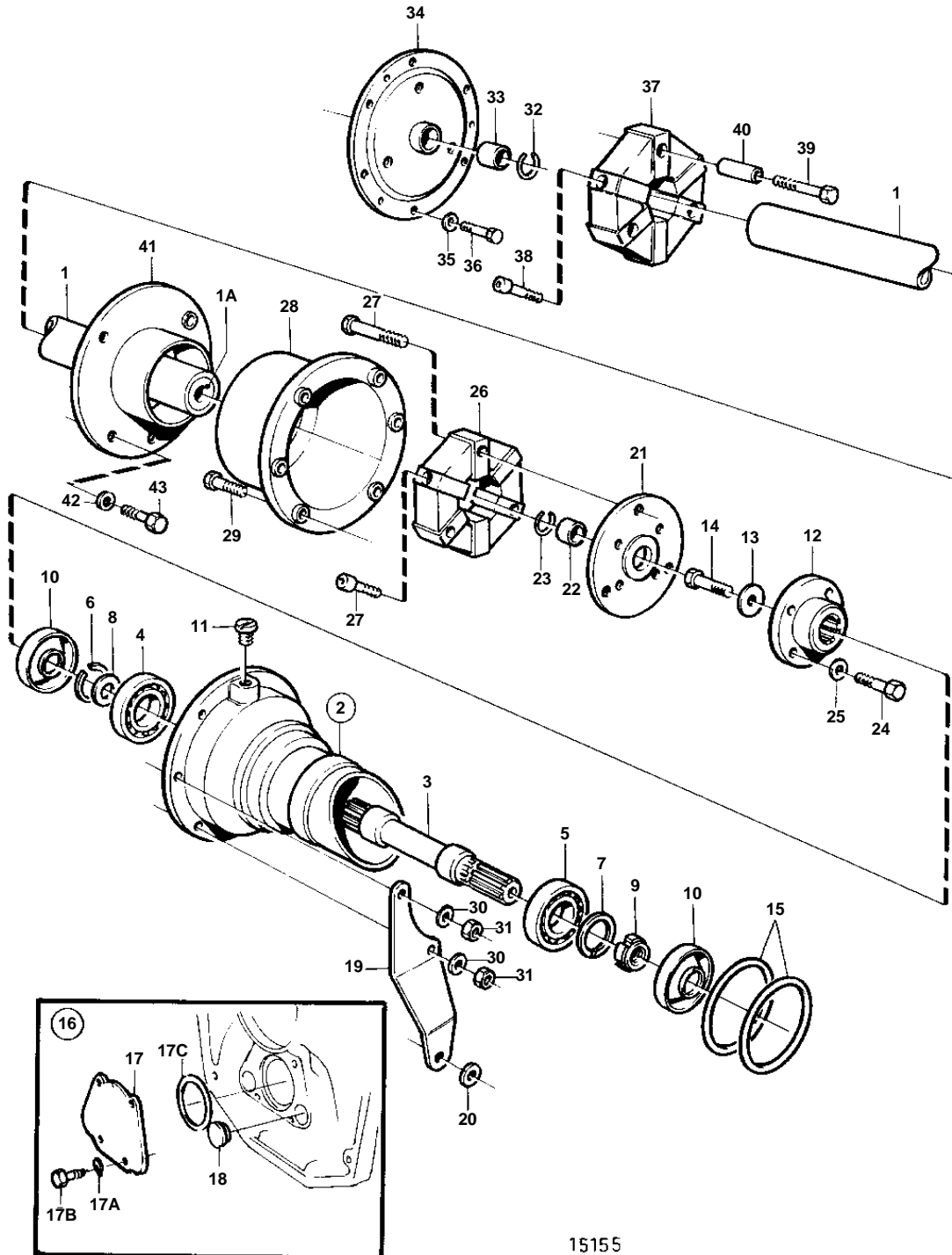


TAMD31D, AD31D



15155

TAMD31D, AD31D

REF	PART NO.	QTY	DESCRIPTION	NOTES
1	853944	1	Axle shaft	L=1,1m
	853850	1	Axle shaft	SO L=1,65m
1A	853830	2	· Insert	
2	839482	1	Intermediate section	
3	853841	1	Shaft	
4	183647	1	Roller bearing	
5	11041	1	Roller bearing	
6	914465	1	Lock ring	
7	914533	1	Snap ring	
8	968950	1	Support washer	
9	969072	1	Round nut	
10	958860	2	Sealing ring	
11	804262	1	Plug	
12	838422	1	Clutch flange	
13	947541	1	Washer	
14	973083	1	Flange screw	
15	858464	2	Rubber ring	
16	872238	1	Seal flange kit	
17	854651	1	· Seal flange	
17A	941908	4	· Spring washer	
17B	970945	4	· Screw	
17C	925256	1	· O-ring	
18	814473	2	· Rubber plug	
19	838935	1	Bracket	P
	838936	1	Bracket	S.B
20	955897	22	Washer	
21	853878	1	Attaching plate	
22	853829	1	Bushing	
23	914470	1	Lock ring	
24	945996	4	Screw	
25	941909	4	Spring washer	
26		1	Reversing gear	
27	853951	6	· Screw	
28	853838	1	Protection	
29	940160	6	Screw	
30	941909	6	Spring washer	
31	940157	6	Nut	
32	914470	1	Lock ring	
33	853829	1	Bushing	
34	853876	1	Attaching plate	
35	941907	6	Spring washer	EARLY TYPE
36	955297	6	Screw	EARLY TYPE
	945444	6	Flange screw	LATE TYPE
37	853977	1	Clutch	(853831)
38	853951	3	Screw	
39	853952	3	Screw	
40	853834	1	Spacer sleeve	
41	853874	1	Protection	
42	941908	4	Spring washer	EARLY TYPE
43	970947	4	Screw	EARLY TYPE
	973083	4	Flange screw	LATE TYPE